

N2S120015PA2

Silicon Carbide Schottky Diode

V_{RRM}	=	1200V
$I_F(T_C \leq 135^\circ\text{C})$	=	17.5A
Q_c	=	43nC

Features

- Low Forward Voltage Drop (V_F)
- Zero Reverse Recovery Current
- Zero Forward Recovery Voltage
- Positive Temperature Coefficient on V_F
- Temperature-independent Switching

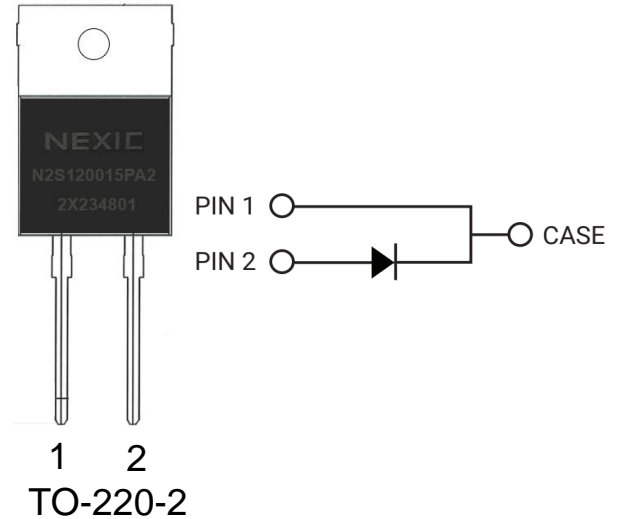
Benefits

- Replace Bipolar with Unipolar Device
- Reduction of Heat Sink Size
- Parallel Devices Without Thermal Runaway
- Essentially No Switching Losses

Applications

- Switch Mode Power Supplies
- Uninterruptible Power Supplies
- Power Factor Correction
- Motor drive, PV Inverter, Wind Power Station

Package



Part Number	Package	Marking
N2S120015PA2	TO-220-2	N2S120015PA2

Maximum Ratings

Symbol	Parameter	Value	Unit	Test Conditions	Note
V_{RRM}	Repetitive Peak Reverse Voltage	1200	V	$T_C = 25^\circ\text{C}$	
V_{RSM}	Surge Peak Reverse Voltage	1200	V	$T_C = 25^\circ\text{C}$	
V_R	DC Blocking Voltage	1200	V	$T_C = 25^\circ\text{C}$	
I_F	Forward Current	37 17.5 15	A	$T_C \leq 25^\circ\text{C}$ $T_C \leq 135^\circ\text{C}$ $T_C \leq 144^\circ\text{C}$	
I_{FSM}	Non-Repetitive Forward Surge Current	135	A	$T_C = 25^\circ\text{C}$, $t_p = 8.3\text{ms}$, Half Sine Wave	
P_{tot}	Power Dissipation	183	W	$T_C = 25^\circ\text{C}$	Fig.3
T_C	Maximum Case Temperature	144	$^\circ\text{C}$		
T_J, T_{STG}	Operating Junction and Storage Temperature	-55 to 175	$^\circ\text{C}$		
	TO-220 Mounting Torque	1	Nm	M3 Screw	

Electrical Characteristics

Symbol	Parameter	Typ.	Max.	Unit	Test Conditions	Note
V_F	Forward Voltage	1.55 2.2	1.8 2.5	V	$I_F = 15A, T_J = 25^\circ C$ $I_F = 15A, T_J = 175^\circ C$	Fig.1
I_R	Reverse Current	5 20	20 200	μA	$V_R = 1200V, T_J = 25^\circ C$ $V_R = 1200V, T_J = 175^\circ C$	Fig.2
C	Total Capacitance	940 70 57	/	pF	$V_R = 0V, T_J = 25^\circ C, f = 1MHz$ $V_R = 400V, T_J = 25^\circ C, f = 1MHz$ $V_R = 800V, T_J = 25^\circ C, f = 1MHz$	Fig.5
Q_C	Total Capacitive Charge	43	/	nC	$V_R = 800V, I_F = 15A$ $di/dt = 200A/\mu s, T_J = 25^\circ C$	Fig.4

Thermal Characteristics

Symbol	Parameter	Typ.	Unit	Note
$R_{\theta JC}$	Thermal Resistance from Junction to Case	0.86	$^\circ C/W$	Fig.6
$R_{\theta JA}$	Thermal Resistance from Junction to Ambient	80	$^\circ C/W$	
T_{sold}	Soldering Temperature	260	$^\circ C$	

Typical Performance

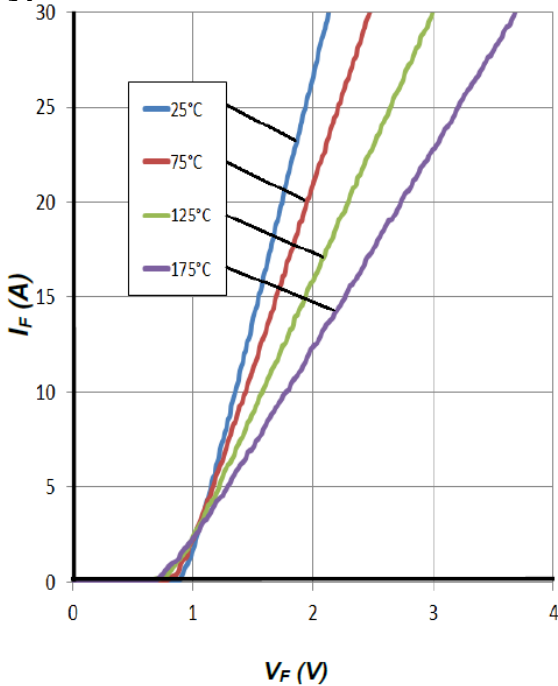


Figure 1. Forward Characteristics

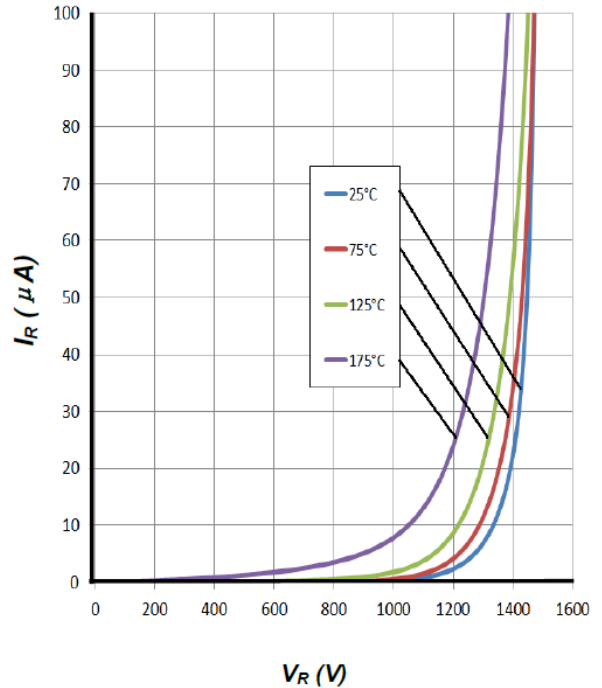


Figure 2. Reverse Characteristics

Typical Performance

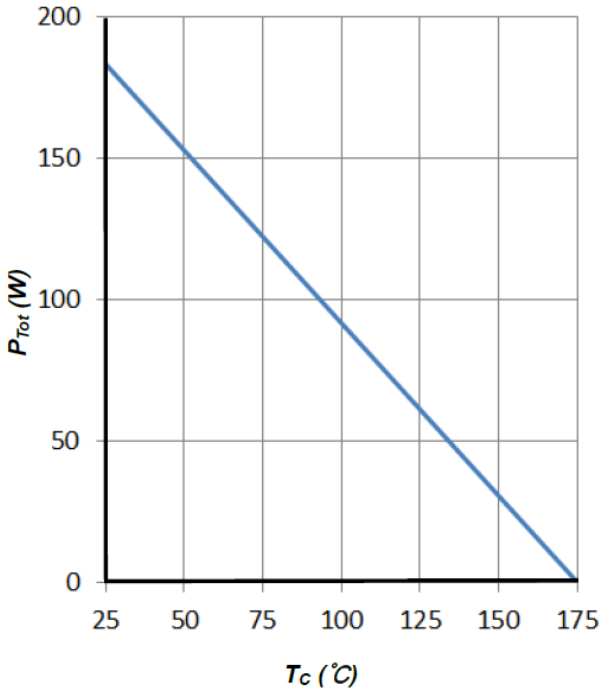


Figure 3. Power Derating

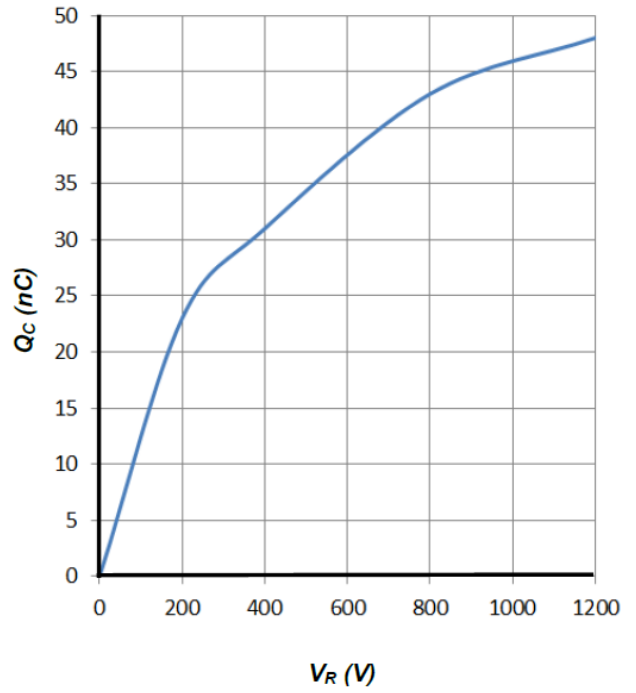


Figure 4. Total Capacitive Charge vs. Reverse Voltage

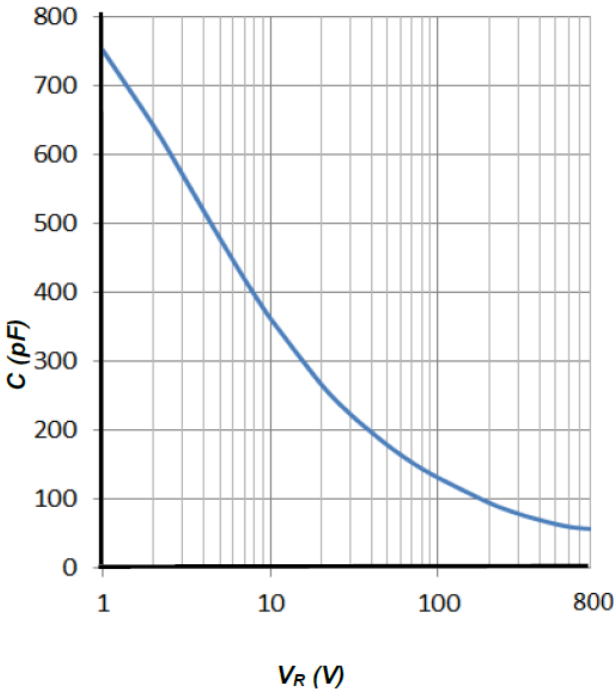


Figure 5. Total Capacitance vs. Reverse Voltage

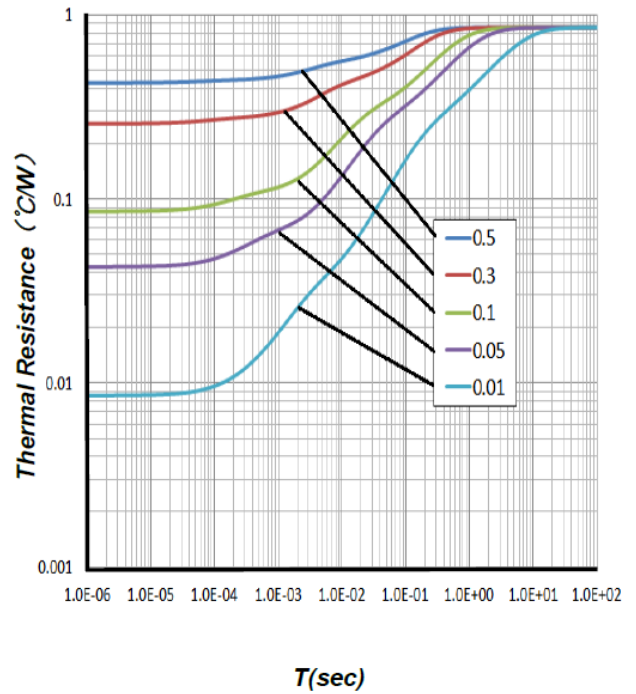
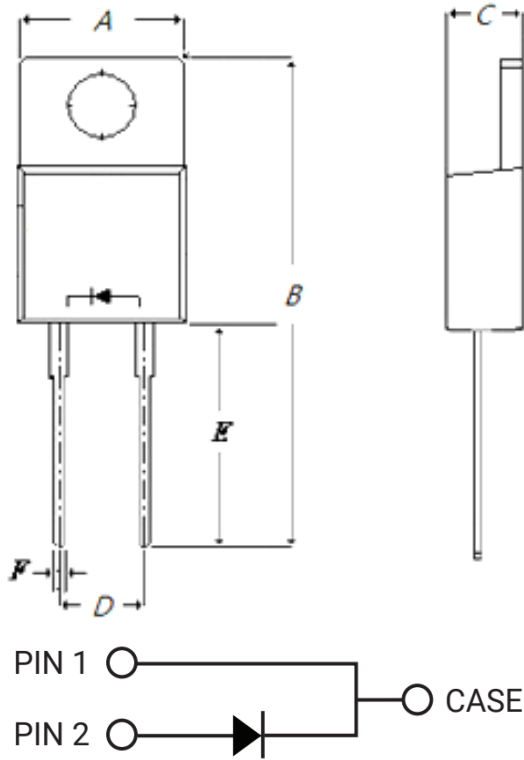


Figure 6. Transient Thermal Impedance

Package Dimensions

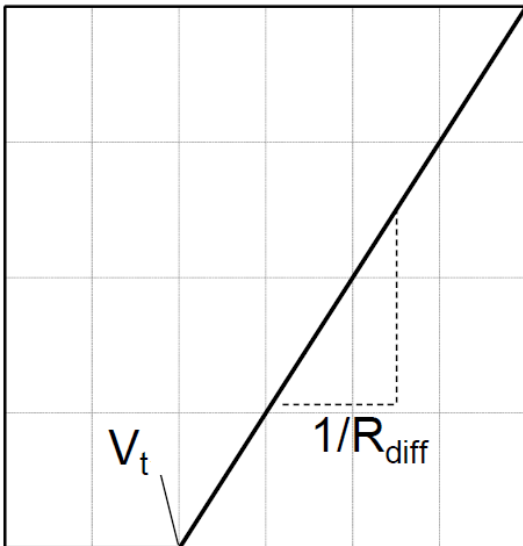
Package TO-220-2



SYMBOL	mm		
	MIN	NOM	MAX
A	9.17	10.08	10.91
B	27.00	28.58	30.00
C	3.89	4.50	5.00
D	4.20	5.10	5.80
E	11.70	13.30	14.97
F	0.50	0.80	1.21

Simplified Diode Model

Equivalent IV Curve for Model



Mathematical Equation

$$V_F = V_t + I_F \times R_{diff}$$

$$V_t = -0.001 \times T_j + 0.9836 \text{ [V]}$$

$$R_{diff} = 1 \times 10^{-6} \times T_j^2 + 1 \times 10^{-4} \times T_j + 0.0347 \text{ [\Omega]}$$

Note:

T_j = Diode Junction Temperature In Degrees Celsius, valid from 25°C to 175°C

I_F = Forward Current Less than 30A